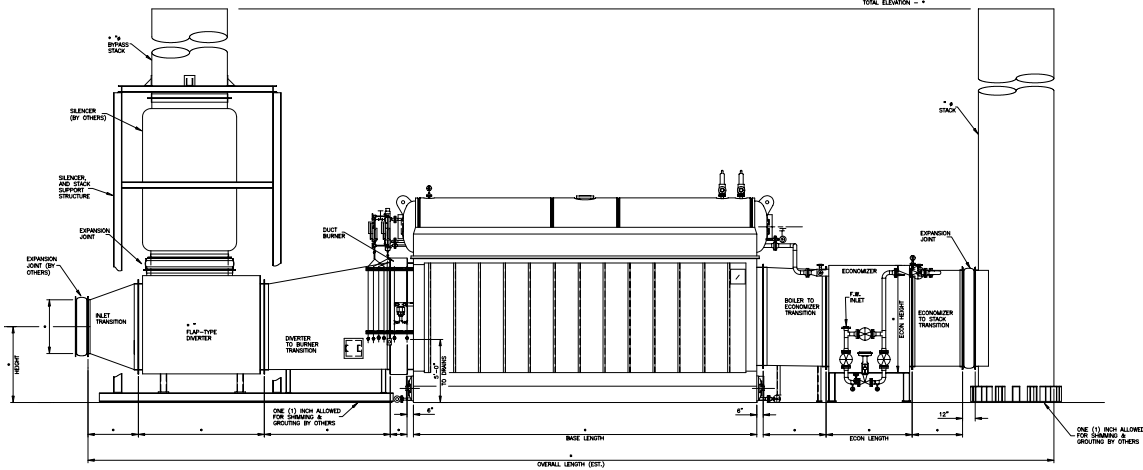
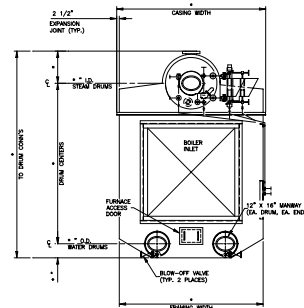


PLAN VIEW



SIDE VIEW



INLET END VIEW  
BOILER ONLY

DO NOT SCALE - USE DIMENSIONS ONLY      N.P.A. ©. RIGHTS NOT FURNISHED BY E.R.I.  
DO NOT USE FOR CONSTRUCTION UNLESS APPROVED BELOW

THIS DRAWING IS THE PROPERTY OF ENERGY RECOVERY INT'L AND IS LOANED ON THE CONDITION THAT IT SHALL NOT BE COPIED OR REPRODUCED IN WHOLE OR IN PART OR INCORPORATED IN ANY MANNER OR USED IN ANY MANNER WITHOUT THE WRITTEN CONSENT OF ENERGY RECOVERY INT'L. ANY EQUIPMENT OR MATERIAL SHOWN, BUT NOT FURNISHED BY ENERGY RECOVERY INT'L IS FOR ILLUSTRATING THE APPLICATION, AND ENERGY RECOVERY INT'L ACCEPTS NO RESPONSIBILITY AS TO THE REGULATION OR OPERATION OF SUCH EQUIPMENT OR MATERIALS.

REV.	DATE	DESCRIPTION	BY	CHKD	APP

NOTES:

1. DRAWING IS FOR OVERALL SIZE AND ARRANGEMENT ONLY. REFER TO PROPOSAL FOR ACTUAL TRIM LIST.
2. DRAWING IS NOT TO BE USED FOR CONSTRUCTION PURPOSES.
3. FEEDWATER PIPING TO BE SUPPORTED IN FIELD BY OTHERS.
4. \* - TO BE DETERMINED

PRELIMINARY LAYOUT ONLY.  
ERI PROPOSAL No. P--

ENERGY RECOVERY INTERNATIONAL LINCOLN, NEBRASKA 68501	
A Division of <b>National Dynamics</b> An ADAM-OHEM Company	
GENERAL ARRANGEMENT SERIES: MAX-FIRE MFA HORIZONTAL ECONOMIZER	
SCALE: NONE	DATE: 05-08-2000
DRAWN BY: KJAB	CHECKED: [ ] APPROVED: [ ]
JOB NO.: PROPOSAL	SERIAL NO.:
STC:	DRAWING NO. MFA-ECN