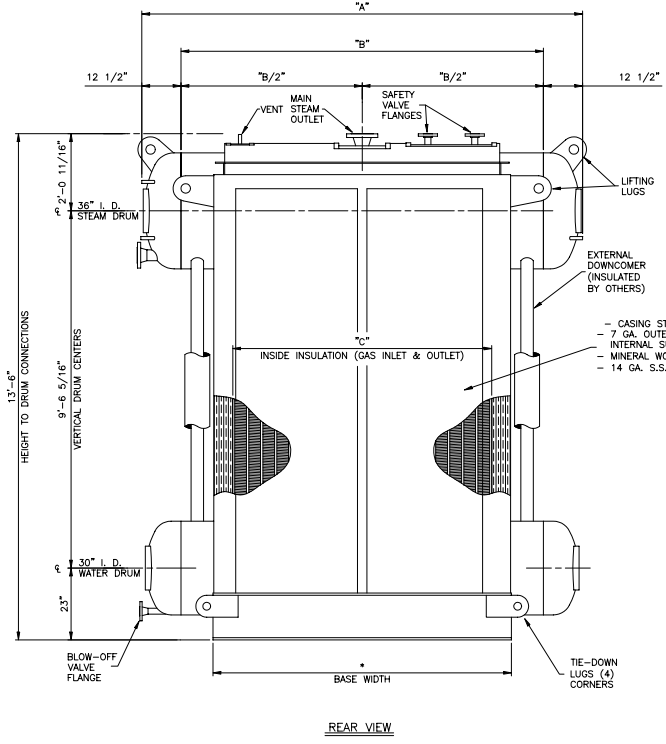
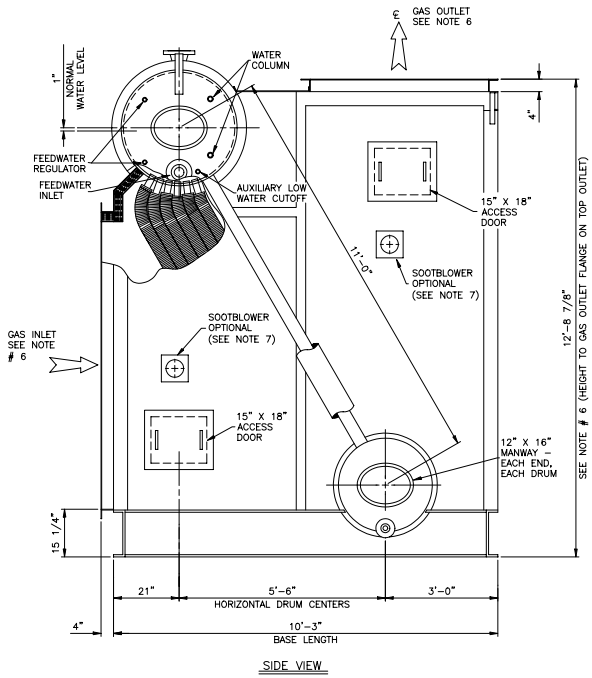


DO NOT SCALE - USE DIMENSIONS ONLY *M.P.S. INDICATES NOT FINISHED BY E.A.I.
 DO NOT USE FOR CONSTRUCTION UNLESS APPROVED BY E.I.

THIS DRAWING IS THE PROPERTY OF ENERGY RECOVERY INT'L AND IS LOANED ON CONDITION THAT IT SHALL NOT BE COPIED OR REPRODUCED IN WHOLE OR IN PART OR DISCLOSED TO ANY THIRD PARTY OR USED IN ANY WAY WITHOUT THE WRITTEN CONSENT OF ENERGY RECOVERY INT'L. ANY EQUIPMENT OR MATERIALS SHOWN, BUT NOT PROVIDED BY ENERGY RECOVERY INT'L, IS FOR ILLUSTRATING THE APPLICATION, AND ENERGY RECOVERY INT'L ACCEPTS NO RESPONSIBILITY AS TO THE MERCHANTABILITY OR FITNESS OF SUCH EQUIPMENT OR MATERIALS.

REV.	DATE	DESCRIPTION	DRW	CHK	APP

- NOTES:**
- DESIGNED AND CONSTRUCTED PER LATEST EDITION OF A.S.M.E. CODE SECTION 1, AND STAMPED "C".
 - SURFACE PREPARATION: HAND CLEAN SURFACES AND APPLY COAT OF HI-TEMP PRIMER.
 - ALL MATERIALS ARE TO CODE SPECIFICATIONS FOR SPECIFIC DESIGN PRESSURE AND TEMPERATURE.
 - NOZZLES ARE SIZED FOR SPECIFIC STEAM GENERATION AND PRESSURE REQUIREMENTS. REFER TO NOZZLE SCHEDULE FOR SIZES.
 - SEE MECHANICAL DESIGN SHEETS FOR ADDITIONAL DESIGN INFORMATION.
 - GAS INLET AND OUTLET FLANGES CAN BE ARRANGED FOR EIGHT DIFFERENT FLOW PATTERNS TO FIT VARIOUS GAS FLOW SCHEMES DUE TO SPACE LIMITATIONS. REFER TO GAS FLOW PATTERNS SCHEDULE ABOVE FOR THE DESIRED FLOW PATTERN NUMBER. (FP-1 IS SHOWN IN THIS ILLUSTRATION)
 - IF GAS FOULING IS EXPECTED, SOOTBLOWER(S) CAN BE INSTALLED WHERE SHOWN FOR THE HIGHEST POSSIBLE TUBE CLEANING EFFICIENCY.
 - OTHER INSULATION MATERIALS MAY BE SUBSTITUTED TO MATCH A SPECIFIC APPLICATION.



DIMENSIONS - 4 1/2" TRANSVERSE FIT (Subject to Engineering & A.S.M.E. Changes)

MODEL NUMBER	"A"	"B"	"C"
S.S.-14	10'-0"	7'-11"	5'-6"
S.S.-18	11'-6"	9'-9"	7'-0"
S.S.-24	13'-9"	11'-8"	9'-3"
S.S.-32	16'-9"	14'-8"	12'-3"
S.S.-38	19'-0"	16'-11"	14'-6"

ENERGY RECOVERY INTERNATIONAL

6840 CORNHUSKER HIGHWAY
 LINCOLN, NEBRASKA 68507

A Division of NATIONAL DYNAMICS, an amec-ferm company

S.S. - SERIES
 SLANT WATERTUBE BOILER

SCALE: NONE	DATE: 06-07-2001
DRAWN BY: K.A.B.	CHECKED: APPROVED:
DES. NO.: STANDARD	DRAWING NO.:
CITY:	DIR-250A