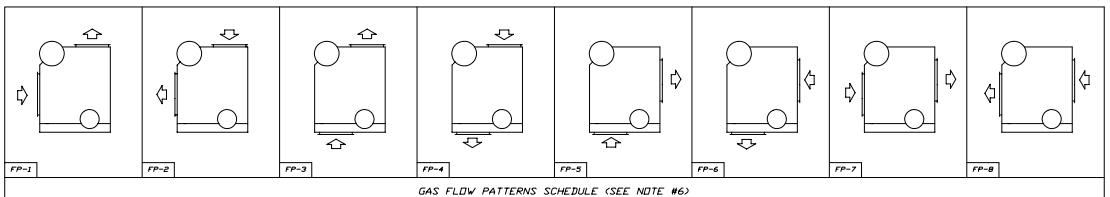


DO NOT SCALE - USE DIMENSIONS ONLY *1/8" S INDICATES NOT FURNISHED BY E&S
 DO NOT USE FOR CONSTRUCTION UNLESS APPROVED BELOW
 THIS DRAWING IS THE PROPERTY OF ENERGY RECOVERY INT'L. AND IS LOANED IN CONFIDENCE TO ANY THIRD PARTY. IT IS NOT TO BE REPRODUCED OR COPIED IN ANY MANNER WITHOUT THE WRITTEN CONSENT OF ENERGY RECOVERY INT'L. ANY EQUIPMENT OR MATERIALS SOUGHT TO BE PURCHASED BY ENERGY RECOVERY INT'L IS FOR ILLUSTRATING THE APPLICATION, AND ENERGY RECOVERY INT'L ACCEPTS NO RESPONSIBILITY AS TO THE INSTALLATION OR OPERATION OF SUCH EQUIPMENT OR MATERIALS.

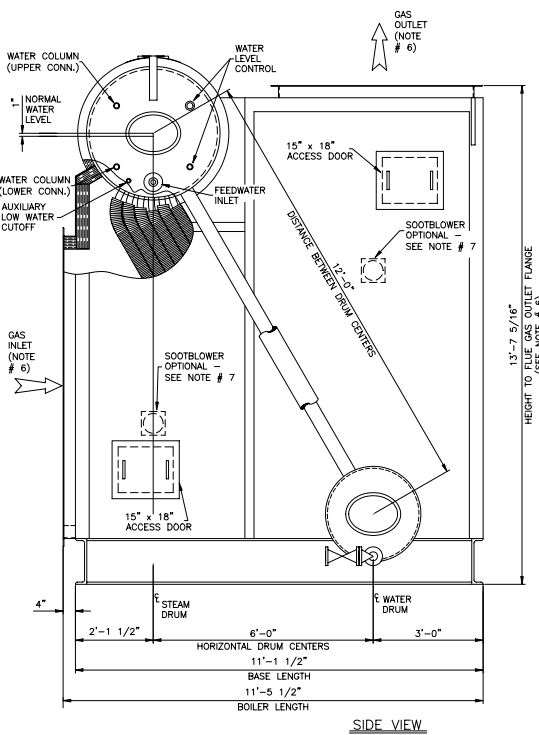
REV.	DATE	DESCRIPTION	BY	CHK	APP

NOTES:

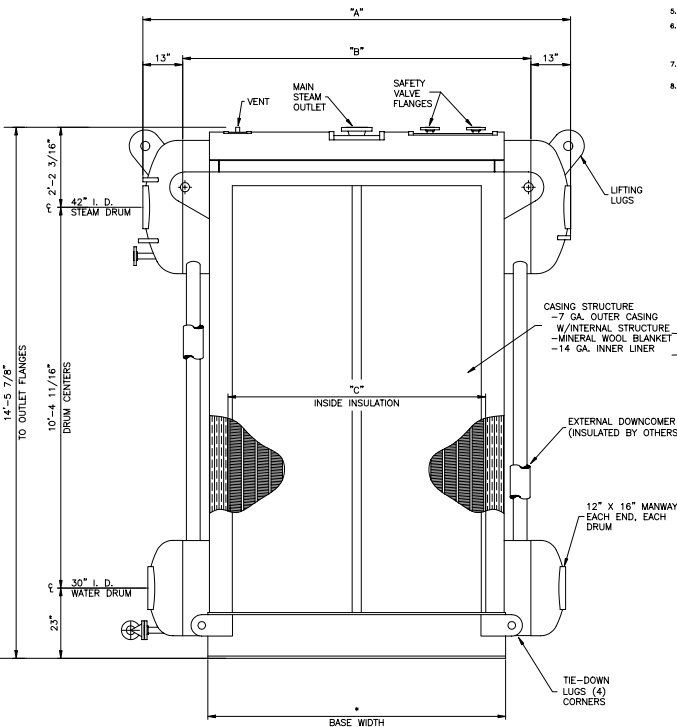
- DESIGNED AND CONSTRUCTED PER LATEST EDITION OF A.S.M.E. CODE SECTION 1, AND STAMPED "S".
- SURFACE PREPARATION: HAND CLEAN SURFACES AND APPLY COAT OF H-TEMP PRIMER.
- ALL MATERIALS ARE TO CODE SPECIFICATIONS FOR SPECIFIC DESIGN PRESSURE AND TEMPERATURE.
- NOZZLES ARE SIZED FOR SPECIFIC STEAM GENERATION AND PRESSURE REQUIREMENTS.
- SEE MECHANICAL DESIGN SHEETS FOR ADDITIONAL DESIGN INFORMATION.
- GAS INLET AND OUTLET FLANGES CAN BE ARRANGED FOR EIGHT DIFFERENT FLOW PATTERNS TO FIT VARIOUS GAS FLOW SCHEMES DUE TO SPACE LIMITATIONS. REFER TO GAS FLOW PATTERN SCHEDULE ABOVE FOR THE DESIRED FLOW PATTERN NUMBER. (FP-1 IS SHOWN IN THIS ILLUSTRATION)
- IF GAS FOULING IS EXPECTED, SOOTBLOWERS CAN BE INSTALLED WHERE SHOWN FOR THE HIGHEST POSSIBLE TUBE CLEANING EFFICIENCY.
- OTHER INSULATION MATERIALS MAY BE SUBSTITUTED TO MATCH A SPECIFIC APPLICATIONS.



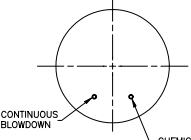
GAS FLOW PATTERNS SCHEDULE (SEE NOTE #6)



SIDE VIEW



REAR VIEW



DIMENSIONS - 4 1/2" TRANSVERSE TUBE PITCH (Subject to Engineering & A.S.M.E. Changes)

MODEL NUMBER	"A"	"B"	"C"
S3-14	10'-1"	7'-11"	5'-8"
S3-18	11'-7"	9'-5"	7'-8"
S3-24	13'-10"	11'-8"	9'-5"
S3-32	16'-10"	14'-8"	12'-5"
S3-38	19'-1"	16'-11"	14'-8"

ENERGY RECOVERY INTERNATIONAL
 6840 CORNHUSKER HIGHWAY
 LINCOLN, NEBRASKA 68507

A Division of NATIONAL DIMENSIONAL, an Inco-Steel company

S3 - SERIES
 SLANT WATERTUBE BOILER

SCALE: NONE	DATE: 12-05-2001
DRAWN BY: K.A.B.	CHECKED: _____
FOR NO. STANDARD	APPROVED: _____
DTV: _____	DRAWING NO. DR-300A