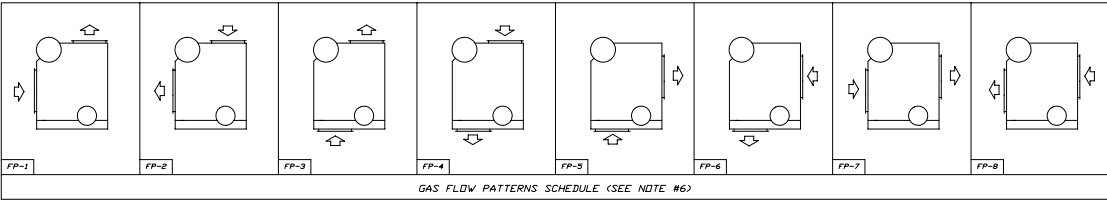


DO NOT SCALE - USE DIMENSIONS ONLY \*1/4" X 8" INDICATES NOT FURNISHED BY EAI

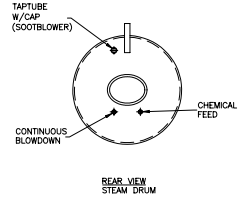
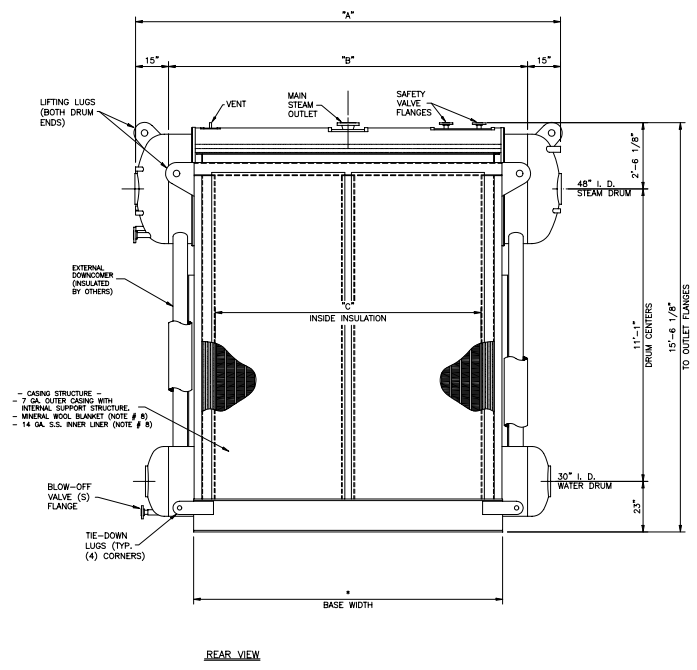
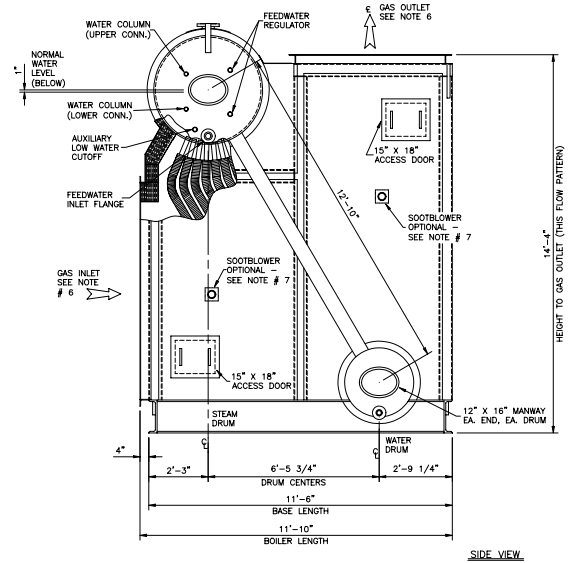
DO NOT USE FOR CONSTRUCTION UNLESS APPROVED BELOW

THIS DRAWING IS THE PROPERTY OF ENERGY RECOVERY INT'L. AND IS LOANED ON CONDITION THAT IT SHALL NOT BE COPIED OR REPRODUCED IN WHOLE OR IN PART OR BE LOANED TO ANY THIRD PARTY OR USED IN ANY WAY WITHOUT THE WRITTEN CONSENT OF ENERGY RECOVERY INT'L. ANY EQUIPMENT OR MATERIAL SHOWN BUT NOT FURNISHED BY ENERGY RECOVERY INT'L. IS FOR ILLUSTRATING THE APPLICATION AND ENERGY RECOVERY INT'L. ACCEPTS NO RESPONSIBILITY AS TO THE INSTALLATION OR OPERATION OF SUCH EQUIPMENT OR MATERIALS.

REV.	DATE	DESCRIPTION	OWN	CHKD	APP



- NOTES:
- DESIGNED AND CONSTRUCTED PER LATEST EDITION OF A.S.M.E. CODE SECTION I, AND STAMPED "S".
  - SURFACE PREPARATION: HAND CLEAN SURFACES AND APPLY COAT OF HI-TEMP PRIMER.
  - ALL MATERIALS ARE TO CODE SPECIFICATIONS FOR SPECIFIC DESIGN PRESSURE AND TEMPERATURE.
  - NOZZLES ARE SIZED FOR SPECIFIC STEAM GENERATION AND PRESSURE REQUIREMENTS.
  - SEE MECHANICAL DESIGN SHEETS FOR ADDITIONAL DESIGN INFORMATION.
  - GAS INLET AND OUTLET FLANGES CAN BE ARRANGED FOR EIGHT DIFFERENT FLOW PATTERNS TO FIT VARIOUS GAS FLOW SCHEMES DUE TO SPACE LIMITATIONS. REFER TO GAS FLOW PATTERN SCHEDULE ABOVE FOR THE DESIRED FLOW PATTERN NUMBER. (FP-1 IS SHOWN IN THIS ILLUSTRATION)
  - IF GAS FOULING IS EXPECTED, SOOTBLOWER(S) CAN BE INSTALLED WHERE SHOWN FOR THE HIGHEST POSSIBLE TUBE CLEANING EFFICIENCY.
  - OTHER INSULATION MATERIALS MAY BE SUBSTITUTED TO MATCH A SPECIFIC APPLICATIONS.



INSULATIONS - 4" Minimum from Shell to Equipment & S.S.M.E. Clamping

INSULATION	4" X 4"	4" X 8"	8" X 8"
24-18	11'-8"	9'-2"	6'-2"
24-24	12'-8"	11'-8"	6'-2"
24-30	14'-8"	13'-8"	6'-2"
24-36	16'-8"	15'-8"	12'-11"

**ENERGY RECOVERY INTERNATIONAL**

6040 COMMERCE HIGHWAY,  
LINCOLN, NEBRASKA 68502

A Division of NATIONAL DYNAMICS, an equal-opportunity company

**S4 - SERIES:**  
**SLANT WATERTUBE BOILER**

SCALE: NONE	DATE: 06-06-2001
DRAWN BY: EAB	CHECKED: [ ] APPROVED: [ ]
JOB NO.: STANDARD	DRAWING NO. DR-400A
DTX: [ ]	