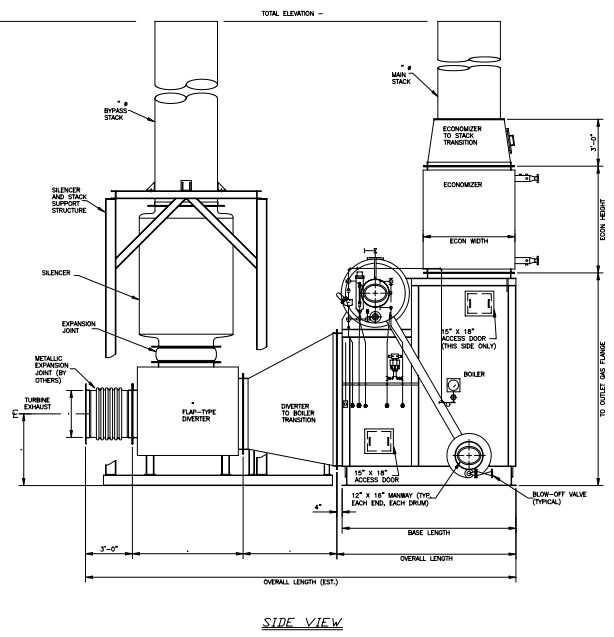
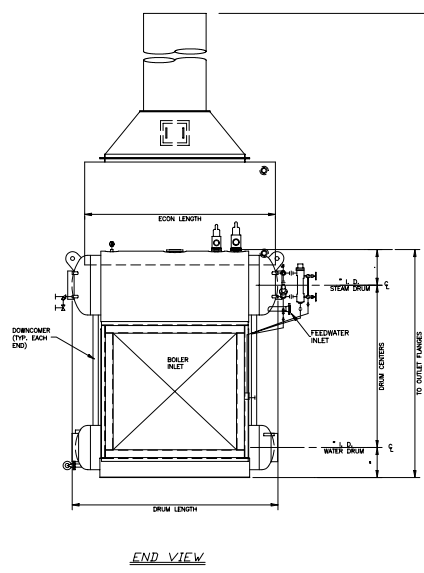



DO NOT SCALE - USE DIMENSIONS ONLY "N/A" D INDICATES NOT FURNISHED BY ERI
 DO NOT USE FOR CONSTRUCTION UNLESS APPROVED BELOW
 THIS DRAWING IS THE PROPERTY OF ENERGY RECOVERY INT'L AND IS LOANED ON CONDITION THAT IT SHALL NOT BE COPIED OR REPRODUCED IN WHOLE OR IN PART OR DISCLOSED TO ANY THIRD PARTY OR USED IN ANY WAY WITHOUT THE WRITTEN CONSENT OF ENERGY RECOVERY INT'L. ANY EQUIPMENT OR MATERIAL WHICH WAS NOT FURNISHED BY ENERGY RECOVERY INT'L IS FOR ILLUSTRATING THE APPLICATION, AND ENERGY RECOVERY INT'L ACCEPTS NO RESPONSIBILITY AS TO THE INSTALLATION OR OPERATION OF SUCH EQUIPMENT OR MATERIALS.

REV.	DATE	DESCRIPTION	OWN	CHK	APP



PRELIMINARY LAYOUT ONLY.
 ERI PROPOSAL No.

ENERGY RECOVERY INTERNATIONAL

 6848 CONGRESS HIGHWAY,
 LINCOLN, NEBRASKA 68502

A Division of NATIONAL DYNAMICS, an open-chain company

GENERAL ARRANGEMENT SERIES:
 SLANT TYPE BOILER w/ECON

SCALE: NONE	DATE: 07-10-2001
DRAWN BY: KAE	CHECKED: APPROVED
FOR NO.: PROPOSAL	SERIAL NO.
DTY:	DRAWING NO. SLANTECN