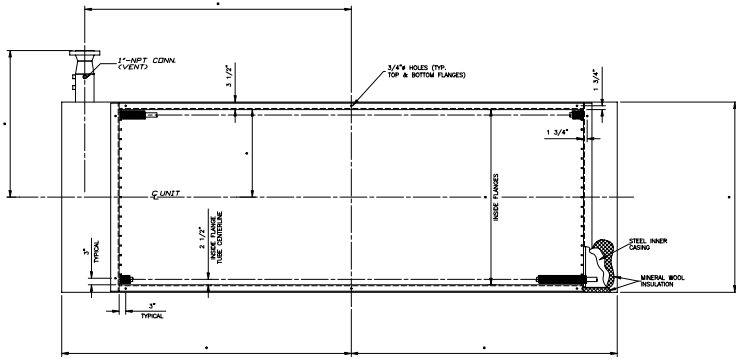
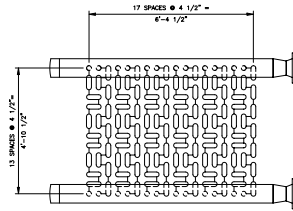


DO NOT SCALE - USE DIMENSIONS ONLY *MVA IS INDICATES NOT FURNISHED BY E.I.I.
 DO NOT USE FOR CONSTRUCTION UNLESS APPROVED BELOW
 THIS DRAWING IS THE PROPERTY OF ENERGY RECOVERY INT'L AND IS LOANED ON CONDITION THAT IT SHALL NOT BE COPIED OR REPRODUCED IN WHOLE OR IN PART OR DISCLOSED IN ANY MANNER OR USED IN ANY WAY WITHOUT THE WRITTEN CONSENT OF ENERGY RECOVERY INT'L. ANY EQUIPMENT OR MATERIAL SHOWN BUT NOT FURNISHED BY ENERGY RECOVERY INT'L IS FOR ILLUSTRATIVE PURPOSES ONLY. THE APPLICATOR AND ENERGY RECOVERY INT'L ACCEPTS NO RESPONSIBILITY AS TO THE INSTALLATION OR OPERATION OF SUCH EQUIPMENT OR MATERIALS.

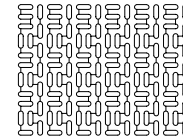
REV.	DATE	DESCRIPTION	OWN	CHK	APP



PLAN VIEW



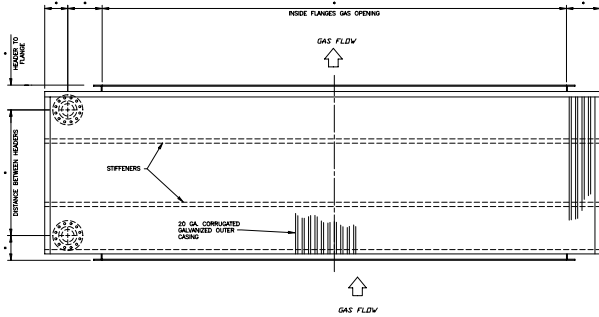
TUBE LAYOUT
TERMINAL END



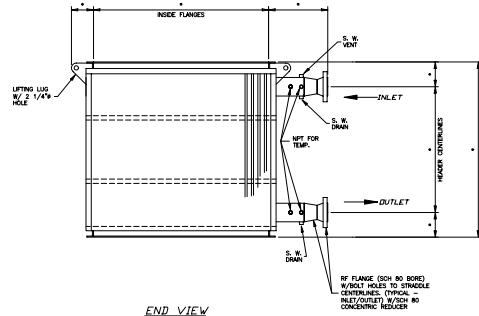
TUBE LAYOUT
RETURN END

NOTES

1. ALL INNER CASING JOINTS TO BE SEAL WELDED.
2. PAINT: FLAME CONTROL SILVER EXCEPT GALVANIZED CASING (1 MIL. DFT)



SIDE VIEW



END VIEW

ENERGY RECOVERY INTERNATIONAL
 6940 CONGRESS ROAD
 LITTLE ROCK, ARKANSAS 72207
 A Division of MINERAL TECHNOLOGICAL, an open-chain company

GENERAL ARRANGEMENT SERIES:
 "TYPICAL" VERTICAL GAS FLOW ECONOMIZER

-SAMPLE FOR REUSE-

SCALE: NONE	DATE: DR-DR-0000
DRAWN BY: KAB	CHECKED: APPROVED:
DESIGN NO.: PROFESSIONAL	DESIGN NO.:
DRAWING NO.:	DRAWING NO.:
CITY:	VERTECON